



## Contract Tri Fold Sofabed Mechanism

Linkrest is one of the professional manufacturers and suppliers of contract tri fold sofa bed mechanism in China. This contract tri fold sofabed mechanism is a heavy-duty design, with fire and breathable multi deck, suitable for hotels, which can effectively save room space.

## Product Description

### Tri Fold Sofa Bed Mechanisms

---

LINKREST is one of the leading **Contract Tri Fold Sofabed Mechanism** manufacturers and suppliers in China. Our future is dependent on our passion for more value added and brand new designing, high quality products and professional service while meeting our financial objectives. We have been investing in R&D, automatic production lines, and finding the best solution to reduce the cost and lead time for customer satisfaction. Raw material and transportation cost are on the rise, we have dedicated ourselves on finding technical solutions like our DIY mechanisms and redesigned construction to ensure customer satisfaction.

#### **Contract Tri Fold Sofabed Mechanism Features & Benefits:**

1. Allow 10 cm thickness of foam mattress and mattress looks thick to replace Bi-fold sleeper sofa mechanism.
2. Extra narrow mounting space from the back to the front board to fit most of styles.
3. No cross bar feeling like Bi-fold, it is really comfortable for every night.
4. Very comfortable seat due to three folded foam mattress support, you can use very thinner seat cushion to get very good seat comfort.
5. More container loading capacity both mechanism and finished bed to save big unit shipment cost. With or without mattress share the same container loading quantity.
6. Linkrest offer partly assembled mechanism for import customers, it can load about 1000 units per 40HQ, it is very easy to put together (See videos in Technical Support, and quality is the same as fully assembly sofa bed mechanism).
7. Heavy duty design with Fire-proof & air-breath polydeck for hotels.
9. Use this mechanism to make contemporary hotel sofa sleeper and save room space.

WARNING: Don't forget 4 wooden screws to fix ear brackets of mechanism for mechanism protection in transportation.

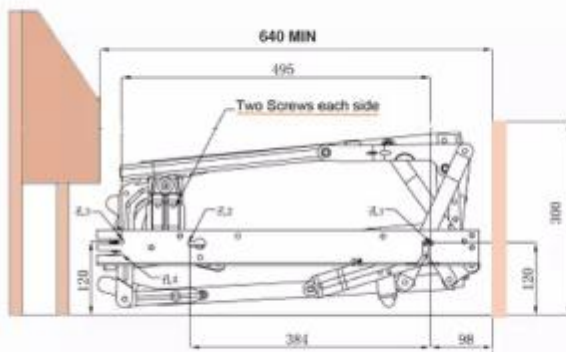
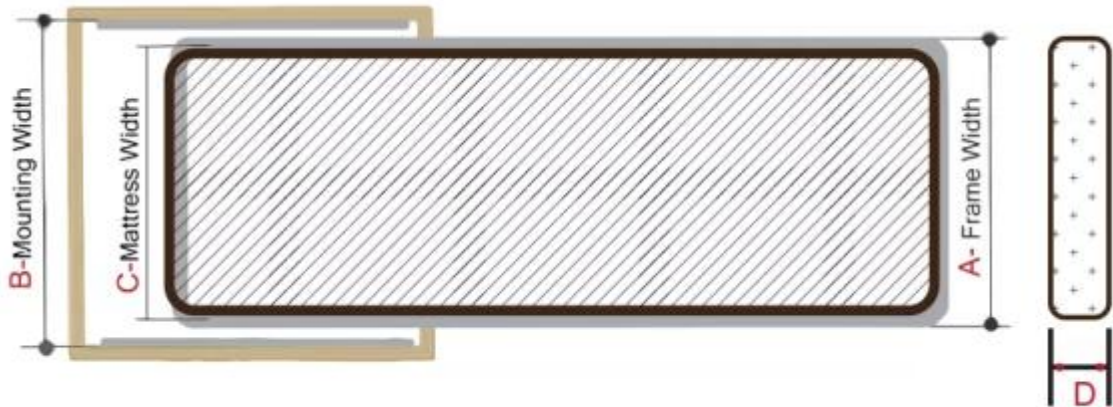
#### **Contract Tri Fold Sofabed Mechanism Models and Mounting Width**

Jiaxing Rest Furniture & Appliance Co.,Ltd.

Phone:+86-13967398833

E-mail:sales@linkrest.com

|      |                       |            |        |           |        |           |
|------|-----------------------|------------|--------|-----------|--------|-----------|
| 64"  | 60"                   | 52"        | 44"    | 40"       |        |           |
| A    | 1600mm                | 1500mm     | 1400mm | 1200mm    | 1000mm | 900mm     |
| C    | 1530mm                | 1430mm     | 1330mm | 1130mm    | 930mm  | 830mm     |
| Size | Queen                 | Mini-Queen | Full   | Mini-Full | Twin   | Mini-Twin |
| D    | Foam mattress 60-80mm |            |        |           |        |           |



10cm thickness of foam mattress is recommended.  
 Add 2 slats in the seat will be more comfortable.  
 Add 4 slats will make sitting and sleeping more comfortable.  
 Whole wood slats are the best.