

Ottoman Lift Storage Mechanism Hinges



Linkrest is one of the professional manufacturers and suppliers of Ottoman lift storage mechanism hinges in China. This Ottoman lift storage mechanism hinges are suitable for sofa bed or soft sleeper. This is a 90 degree storage mechanism, which means it is only suitable for footstool or seat storage that requires 90 degrees or more. It is generally applicable to console storage, arm storage, footstool storage, candy storage, etc.

Product Description

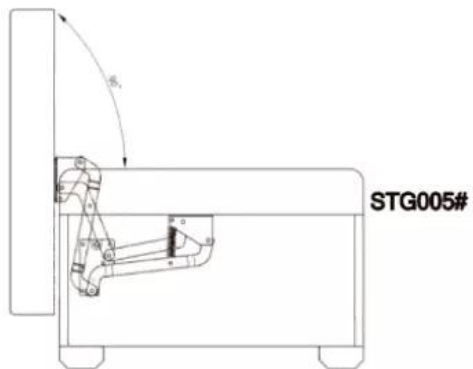
Lift Storage Bed Mechanism Hinges

LINKREST is one of the leading **Ottoman Lift Storage Mechanism Hinges** manufacturers and suppliers in China. Our future is dependent on our passion for more value added and brand new designing, high quality products and professional service while meeting our financial objectives. We have been investing in R&D, automatic production lines, and finding the best solution to reduce the cost and lead time for customer satisfaction. Raw material and transportation cost are on the rise, we have dedicated ourselves on finding technical solutions like our DIY mechanisms and redesigned construction to ensure customer satisfaction.

Ottoman Lift Storage Mechanism Hinges Features & Benefits:

1. This is 90 degrees storage mechanism, that means it only fits to ottoman or seat storage where the storage needs to be 90 or more than 90 degrees. Usually apply for console storage, arm storage, small ottoman storage, candy storage etc.
2. For big storage the degree of this hinge will too big to close.
3. This hinge already made the improvement to change the power spring locations so that the storage can be closed slowly.
4. Suitable for ottoman sofa bed or soft sleeper.

Ottoman Lift Storage Mechanism Hinges Details:



Ottoman Sleeper Hinge STG005#
搁脚床专用铰链STG005#



Console Seat



Arms



Mini Ottoman